

Chameleon VisuWall



Mounting guide

Instructions for wiping (printed) whiteboards

1. **To prevent spreading the written ink, only wipe when it's completely dry. This is crucial with lacquered and printed boards because the solvents in the ink will cause damage to the board surface.**
2. **Only wipe dry ink with a clean (!) felt or paper wiper suitable for whiteboards.**
3. Daily clean the board with cleaning spray to maintain a good erasability.
4. NEVER use other cleaning agencies than real whiteboard cleaners. Aggressive cleaners like Glassex will cause permanent damage to the board surface.
5. When a wrong marker (flipchart marker, permanent marker) is used by accident: immediately clean the board with cleaning spray and a microfiber cloth. If that doesn't help, write over the written text with a whiteboard marker until it desolves. Clean the board with cleaning spray afterwards.

Note! Some markers -even those of renowned brands- are poorly erasable.

Package contents

	Chameleon whiteboard panel 98 x 198 cm	Magnetic mounting plates	Screws	Dowels
BEC1U07W - 178 x 118cm	1	4	16	16
BEC1U72W - 198 x 98cm	1	4	16	16
BEC1U08W - 238 x 118cm	1	5	20	20

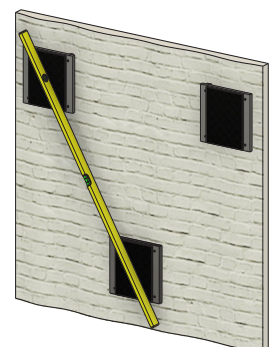
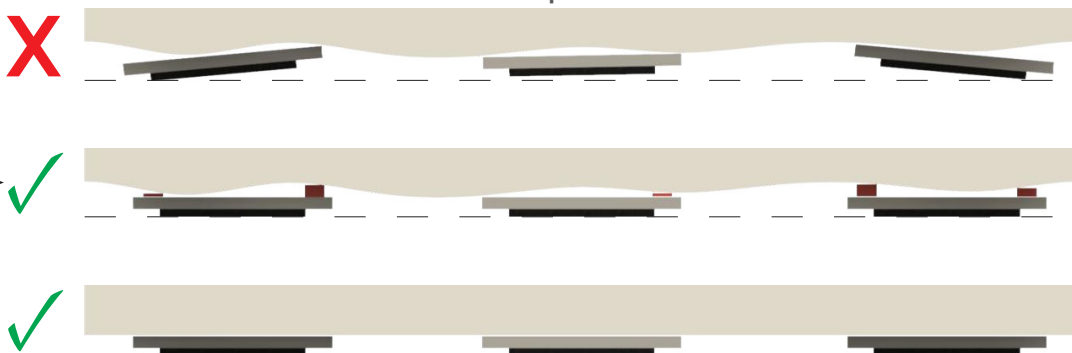


- The wall must be smooth (no bumps or dents) and free of obstacles.
- Magnetic surface of the plate should be completely in contact with back of the board to have it's full holding power.
- Always mount magnets in the same flat plane.
- With bumpy walls use spacers (available in most D.I.Y. shops) to put the magnets in the same plane.
- Check flatness between plates by using a level. Adjust with spacers and repeat check until all surface are in the same plane.
- Provided screws and plugs are suited for solid stone walls. In case of other walls make sure you choose suited mounting materials! Keep in mind that the screw head should fit deep enough into the steel plate, because of the magnet!



Spacer

Image 1
- Top view -

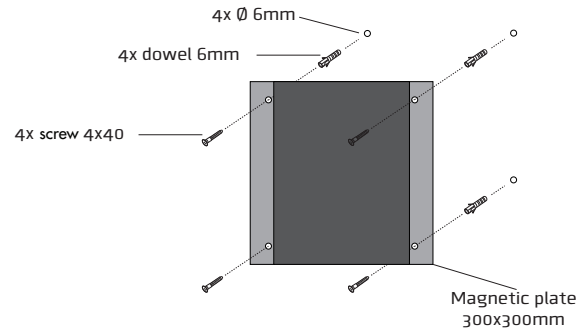
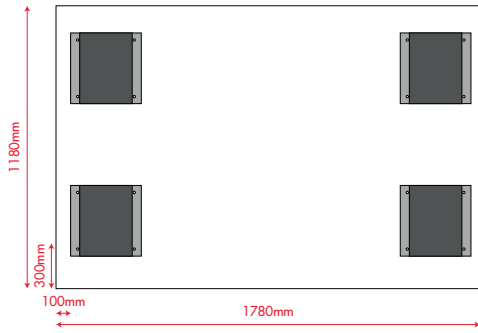


Mounting magnetic plates

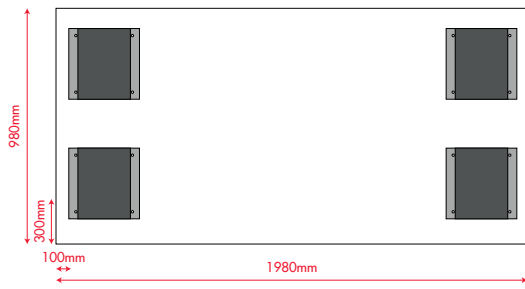


Fix the magnetic plates (300x300 mm) to the wall as indicated in the drawings.

BEC1U8SW



BEC1U8SW



BEC1U8W

